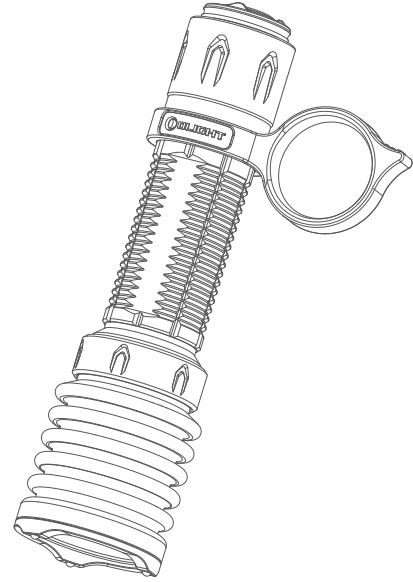


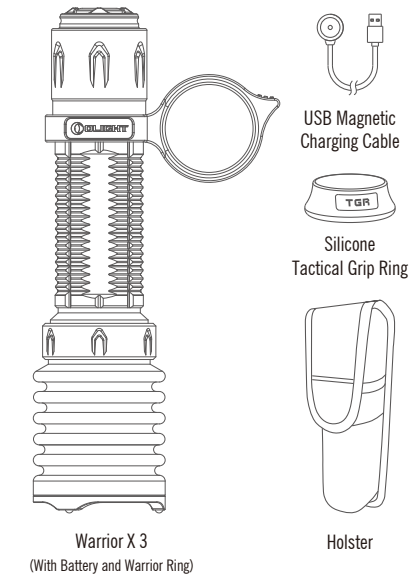
OLIGHT USER MANUAL



WARRIOR X3

Thank you for purchasing this Olight Product. Please read this manual carefully before use and keep it for future reference!

IN THE BOX



SPECIFICATIONS

HIGH 2,500 lumens 100% 2.5min 40% 129min 12% 13min

LOW 300 lumens 100% 8h

560m 78,000cd 2m IPX8

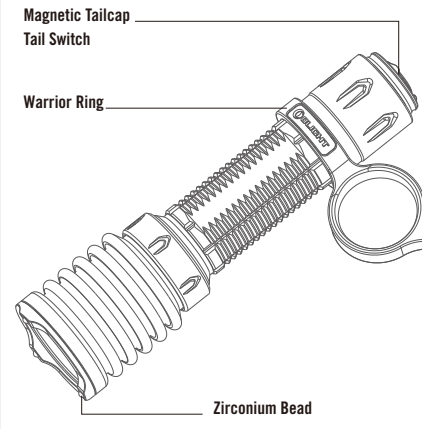
(L)149.5*(D)39mm (L)5.89*(D)1.54in 255g/8.99oz (Including Battery and Warrior Ring)

All above specifications are test results based on ANSI/NEMA FL1-2009 Standard. The tests are performed using the battery included in the flashlight. The tests are performed indoors under a room temperature of 25 degrees celsius with windless conditions. The runtime may vary depending on the external temperature and ventilation conditions, and these biases may affect the results of testing. Note: The maximum output brightness will decrease as the battery voltage decreases.

USB MAGNETIC CHARGING CABLE -- MCC3

Parameter	Specification
Charging cable	USB type A - magnetic charging connector, length: 0.5m
Input	USB A - Type DC 5V 2A
Charging pattern	CC&CV
Maximum charging current	2A
Voltage of fully charged battery	4.2V±0.05V
Charge indication	Red: charging Green: full (over 95%) or disconnected with flashlight
Time to fully charge	5.5 hours

PRODUCT OVERVIEW

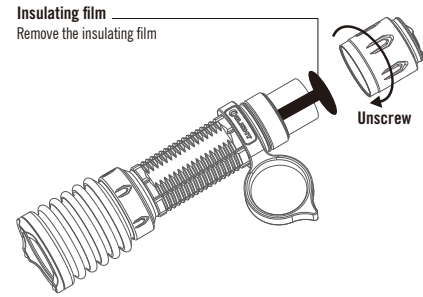


AVAILABLE BATTERY

- 1 x customized 5000mAh 21700 rechargeable lithium-ion battery

BATTERY INSTALLATION

Before first use, unscrew the tailcap and remove the insulating film within the battery compartment before screwing the tailcap back on tightly. If the battery needs to be changed, make sure that the positive end of the new battery faces the flashlight head when you put it in.



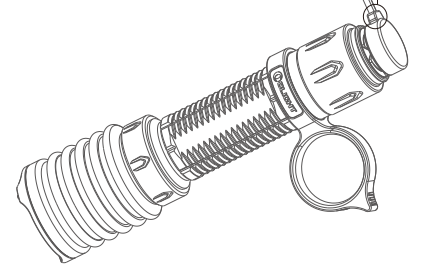
CHARGING

Vibrating Power Indicator

It helps to alert if the battery is low (power ≤20% vibrate once every 5 minutes; power ≤10% vibrate once per minute; power ≤5% vibrate once every 10 seconds).

GREEN
Charging Completed

RED
Charging



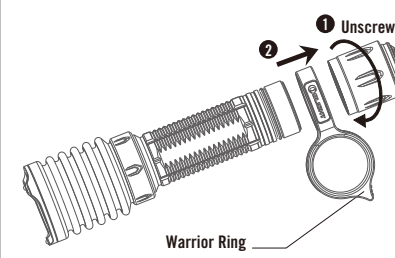
* Before first use please fully charge the product.

* Connect the USB end of the magnetic charging cable to an external USB power source, then attach the other end of the cable to the magnetic charging port of the light. It takes no more than 5.5 hours to fully charge the light. (For reference only. When the USB power source is insufficient to provide 5V 2A power capacity, the charging time will be longer.) The red indicator means charging, while the green indicator means charging completed (battery level > 95%).

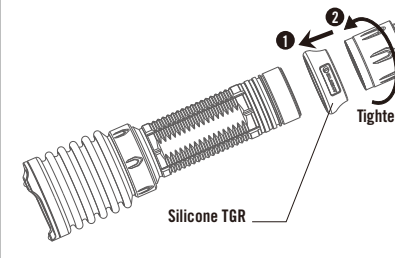
* Only charge with standard MCC3, not compatible with other MCC.

TGR (TACTICAL GRIP RING) INSTALLATION

- a. Unscrew the tailcap and remove the Warrior Ring.



- b. Install the silicone TGR and tighten the tailcap.



DANGER

- DO NOT shine the light directly into human eyes. This may cause temporary blindness, or permanent damage to the eyes.
- DO NOT cover the flashlight's head or place the head on the ground when the flashlight is on. The radiation energy may cause damage to the flashlight itself, or even result in the burning of flammable objects nearby.
- DO NOT use non-protected rechargeable batteries.
- DO NOT use the battery if the casing is broken.
- DO NOT take the battery out of the flashlight for charging.

WARNING

- Keep out of reach of children.
- DO NOT activate high mode repeatedly under high temperature to prevent the flashlight body from overheating and hurting the user's hand.
- The tail switch may not work while immersed in sea water or other conductive media. Please try to keep it clean and dry.
- If the product is left unused or carried and transported, please loosen the tailcap a half turn to avoid accidentally activating the flashlight.
- Store the battery with care. If the battery needs to be changed, please take good care of the battery taken out. DO NOT mix it with the conductive metals.

NOTICE

- DO NOT short-circuit the tail switch cap with the surrounding ring. A short circuit in this case will result in a weak electric discharge between them and may lead to a complete battery drain if it is in this state for too long.
- The magnetic tail switch cap is easy to attract iron debris. Please keep the tail switch cap and the ring surrounding it clean.

EXCLUSION CLAUSE

Olight is not liable for damages or injuries sustained resulting from the usage of the product inconsistent with the warnings in the manual.

CONTENTS

(EN) English	01
(CN) 简体中文	01
(FI) Finnish	01
(NO) Norwegian	01
(SV) Swedish	01
(NL) Nederlands	02
(PL) Polska	02
(DE) Deutsch	02
(HU) Magyarorszá	02
(RU) Русский	03
(ES) Español	03
(RO) Romanesc	03
(UA) Ukrainian	03
(JP) 日本語	04
(KR) 한국어	04
(TH) ไทย	04
(FR) Français	04
(IT) Italia	05
(SK) Slovenskýjazyk	05
(PT) Português	05

(EN) English

HOW TO OPERATE

Click the tail switch lightly to produce a low light output or press the tail switch hard to produce a high light output. Single click (click and release quickly) the tail switch to turn the flashlight on or off.

When you press and hold the switch, the flashlight will be in momentary mode; when you release the tail switch, it will turn off.

(CN) 简体中文

如何操作手电

轻按输出低亮档，重按输出高亮档。
单按（按下并快速释放）开启或关闭手电。
长按并保持，手电开启，按键释放时手电同步关团。

(FI) Finnish

VALAISIMEN KÄYTTÖ

Käytä alhaista valotehoa painamalla kytkintä kevyesti ja korkeaa valotehoa painamalla kytkintä kovaa.

Kytke valaisin päälle ja pois päältä painamalla kytkintä kerran lyhyesti.

Käytä valaisinta hetkellisesti pitämällä kytkintä käytön ajan painettuna. Valo sammuu kun kytkin vapautetaan.

(NO) Norwegian

HVORDAN BRUKE

Klikk lett på bryteren for å produsere et svakt lys, eller trykk hardt på bryteren for høy lyseffekt.

Enkelt klikk (klikk og slipp raskt) på bryteren for å slå lommelykten av eller på.

Når du trykker og holder inne bryteren, vil lommelykten være i øyeblikkelig modus, når du slipper bryteren, vil den slå seg av.

(SV) Swedish

BYTA EFFEKTLÄGE

Klicka på knappen lätt och lampan kommer lysa med svag styrka eller klicka på knappen hårt för att lampan ska lysa med hög ljusstyrka. Klicka en gång (tryck släpp snabbt) på knappen för att tända/släcka lampan.

När du klickar och håller ned knappen, kommer lampan tändas momentant, när du släpper knappen, slöcknar lampan.

(NL) Nederlands

HOE TE BEDIENEN

Klik zachtjes op de staartschakelaar om een laag lichtrendement te produceren of druk hard op de staartschakelaar om een hoog lichtrendement te produceren.

Eén keer klikken (snel klikken en loslaten) op de staartschakelaar om de zaklamp in of uit te schakelen.

Als u de schakelaar ingedrukt houdt, bevindt de zaklamp zich in tijdelijke modus; als u de staartschakelaar loslaat, wordt deze uitgeschakeld.

(PL) Polska

INSTRUKCJA UŻYTKOWANIA:

lekkie wciśnięcie tylnego przycisku spowoduje uruchomienie latarki w trybie najniższym. Mocne wciśnięcie tylnego przycisku spowoduje włączenie trybu najwyższego.

Pojedyncze wciśnięcie tylnego przycisku spowoduje włączenie lub wyłączenie latarki.

Wciśnięcie i przytrzymanie tylnego przycisku spowoduje chwilowe włączenie, puszczenie przycisku wyłączy latarkę.

(DE) Deutsch

BEDIENUNG

Durch leichtes Drücken des Endkappenschalters erhält man eine niedrige Lichtleistung, durch festeres Drücken des Endkappenschalters erhält man eine hohe Lichtleistung.

Durch einmaliges Drücken des Endkappenschalters (schnelles Klicken und Loslassen) wird die Taschenlampe an- oder ausgeschaltet.

Wenn Sie den Endkappenschalter gedrückt halten, leuchtet die Taschenlampe im Momentary Modus; Wenn Sie den Endkappenschalter loslassen, wird die Taschenlampe ausgeschaltet.

(HU) Magyarorszá

A HASZNÁLAT MÓDJA

Nyomja meg finoman a hátsó zárókupakon lévő kapcsolót az alacsony fényerőfokozat üzemmód kapcsolásához. A lámpa erős fényerőfokozatra kapcsolásához nyomja be teljesen a hátsó zárókupakon lévő kapcsolót.

A hátsó zárókupakon lévő kapcsoló gyors teljes benyomásával és felengedésével a lámpa bekapcsolható, illetve kikapcsolható.

A kapcsoló benyomásának és nyomva tartásának idejére a lámpa

bekapcsol, majd a kapcsoló felengedésekor kikapcsol.

(RU) Русский

Инструкция

Легкое нажатие активирует режим 300 люмен, полное нажатие активирует режим 2500 люмен. Для вкл/выкл фонаря необходимо быстро нажать и отпустить торцевую кнопку.

Если нажать и удерживать кнопку, фонарь будет гореть до тех пор, пока Вы ее не отпустите.

(ES) Español

CÓMO OPERAR

Pulse suavemente el interruptor remoto para producir poca luz de salida o pulse fuerte el interruptor remoto para producir mucha luz de salida.

Un Sólo Clic (pulse brevemente) el interruptor remoto para encender o apagar la linterna.

Cuando mantiene pulsado el interruptor, la linterna estará en modo momentáneo; Cuando suelta el interruptor remoto, se apaga.

(RO) Romanesc

MOD DE OPERARE:

Apasati butonul usor pentru a porni in modul mic sau apasati butonul ferm (tare) pentru a porni modul maxim.

Apasare normala (apasati scurt apoi eliberati) pentru a porni sau opri lanterna.

Atunci cand apasati si mentineti apasat butonul, lanterna va intra in mod iluminare momentan; la eliberarea butonului din spate lanterna se va stinge.

(UA) Ukrainian

Як працює:

Легке натискання на торцеву кнопку вмикає економічний режим яскравості; сильніше натискання переводить ліхтарик у стандартний режим світіння.

Одне швидке натискання кнопки (натисніть і одразу відпустіть) вмикає і вимикає ліхтарик.

Якщо натиснути і так утримувати кнопку, ліхтарик світитиме, і вимкнеться, якщо кнопку відпустити.

(JP) 日本語

使用方法

ご使用前に電池カバー部の電池絶縁シールを取り外してください。

テールスイッチを軽く押すとLowモードで常時点灯。強く押すとHighモードで点灯します。

テールスイッチをシングルクリック（クリックして素早く離す）するとライトが点灯・消灯します。

テールスイッチを長押しすと（指はスイッチから離さないまま）ライトが点灯します、スイッチを離すと消灯します。

(KR) 한국어

작동 방법

테일 스위치를 가볍게 누르면 로우 라이트가 켜지고 끝까지 눌러주면 하이 라이트가 켜집니다.

테일 스위치를 한번 클릭하여(클릭 후 빠르게 풀다) 전원을 ON/OFF 할 수 있습니다.

스위치를 누른 채로 유지하면 일시적으로 라이트를 켤 수 있으며 스위치에서 손을 떼면 라이트는 꺼집니다.

(TH) ไทย

ไฟฉาย Warrior X3 มีขั้นตอนต่าง ๆ

ก่อนใช้งาน โปรดดึงฝาครอบด้านหลังออกโดยกดสลักที่ท้ายขี้นหรือเบา ๆ

สำหรับการเปิดปิดไฟฉาย ทำได้โดยการกดสวิทช์ท้ายด้วยนิ้วโป้ง

ไฟฉายจะเปิด ทำอีกครั้งเพื่อปิดไฟฉาย

ส่วนการเปิดหรือปิดชั่วคราว ได้โดยการกดสวิทช์ท้ายครึ่งนิ้วค้างไว้

ไฟฉายจะติด และไฟฉายจะดับเมื่อปล่อยสวิทช์ท้าย

(FR) Français

COMMENT L'UTILISER

Presser légèrement le bouton arrière pour activer le niveau de sortie faible ou presser plus fort pour activer le mode fort.

Un simple clic (presser et relâcher rapidement) allume et éteint la lampe.

Lorsque vous pressez et maintenez le bouton, la lampe s'active momentanément ; lorsque vous relâchez le bouton la lampe s'éteint.

(IT) Italia

FUNZIONAMENTO

Premere leggermente l'interruttore posteriore per produrre un'emissione di luce bassa o premere con forza l'interruttore posteriore per produrre un'elevata emissione di luce.

Con un solo clic (fare clic e rilasciare rapidamente) l'interruttore posteriore per accendere o spegnere la torcia elettrica.

Quando si tiene premuto l'interruttore, la torcia si trova in modalità momentanea; quando si rilascia l'interruttore, si spegne.

(SK) Slovenskýjazyk

AKO POUŽÍVAŤ

Ľahko stlačte spínač koncovky, aby ste dosiahli slabý svetelný výkon, alebo stlačte silnejšie koncový spínač, aby ste dosiahli vysoký svetelný výkon.

Jedným kliknutím (rýchlym kliknutím a uvoľnením) koncovým spínačom zapnete alebo vypnete svetidlo.

Keď stlačíte a podržíte spínač, svetidlo bude vo chvílkovom režime; pri uvoľnení koncového spínača sa vypne.

(PT) Português

COMO OPERAR

Pressione levemente no interruptor traseiro para obter luz fraca ou pressione o interruptor traseiro com força para obter luz forte.

Pressione uma vez (clique e liberte rapidamente) o interruptor traseiro para ligar ou desligar a lanterna.

Quando mantiver o interruptor pressionado, a lanterna entra no modo momentâneo e desliga-se quando libertar o interruptor traseiro.

EU-DECLARATION OF CONFORMITY



EU-Declaration of Conformity can be found here: <https://olightworld.com/ec-declaration>

WARRANTY

Within 30 days of purchase: Contact the original seller for repair or replacement.

Within 5 years of purchase: Contact Olight for repair or replacement.

Battery Warranty: Olight offers a one year warranty for all rechargeable batteries.

MCC Magnetic USB Charging Cable: One year.

The other no warranty fragile or low-value fittings like lanyard and clip, you can contact post-sale in 30 days after purchase if it has quality drawback or damage under normal use condition. Over 30 days or damage under abnormal use condition, the conditional quality assurance will be provided as appropriate.

USA Customer Support

cs@olightstore.com

Global Customer Support

customer-service@olightworld.com

Visit www.olightworld.com to see our complete product line of portable illumination tools.

OLIGHT

Dongguan Olight E-Commerce Technology Co., Ltd

4th Floor, Building 4, Kegu Industrial Park, No 6 Zhongnan Road, Changan Town, Dongguan City, Guangdong, China.

Made in China



3.0061.6010.9000

A. 10. 31. 2021

THANK YOU!